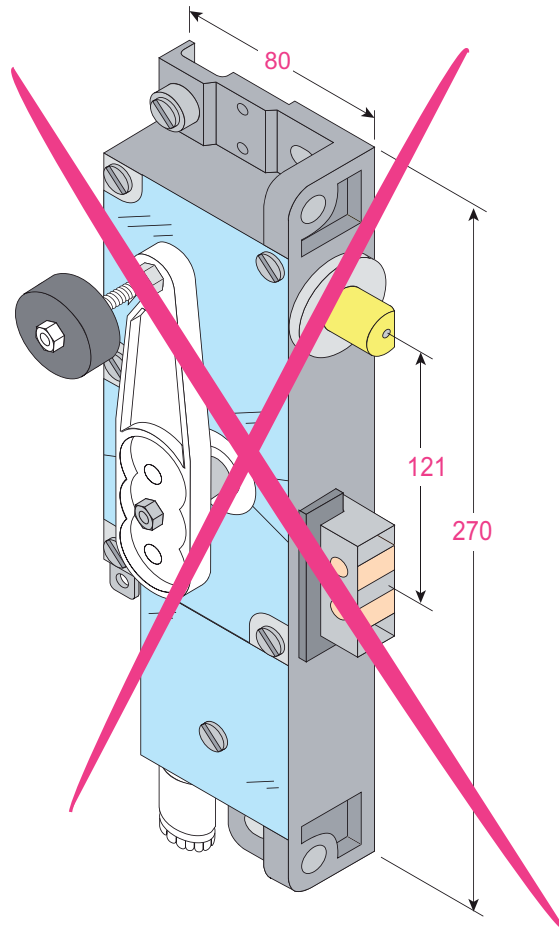


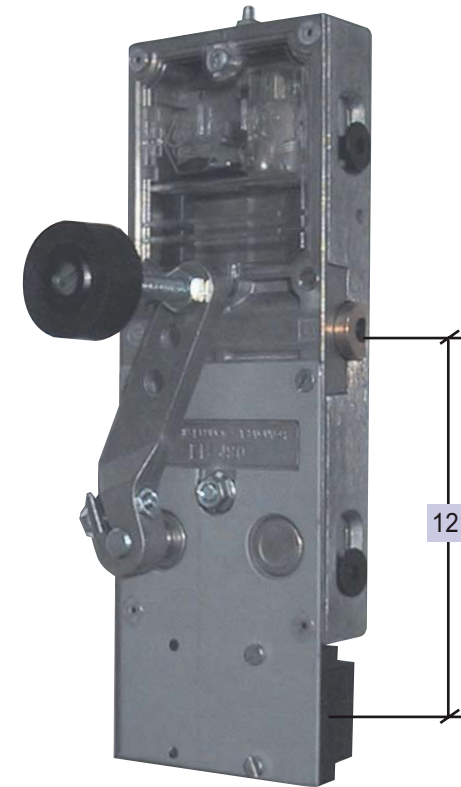
To replace :

Type DLF1 (Kronenberg)
with draw contact inside lock.



Substitution :

LR 180 * * KR prudhomme S.a
with draw contact CAop.



ref.:LR180 * G KR

ref.:LR180 * D KR

